

# Parts List

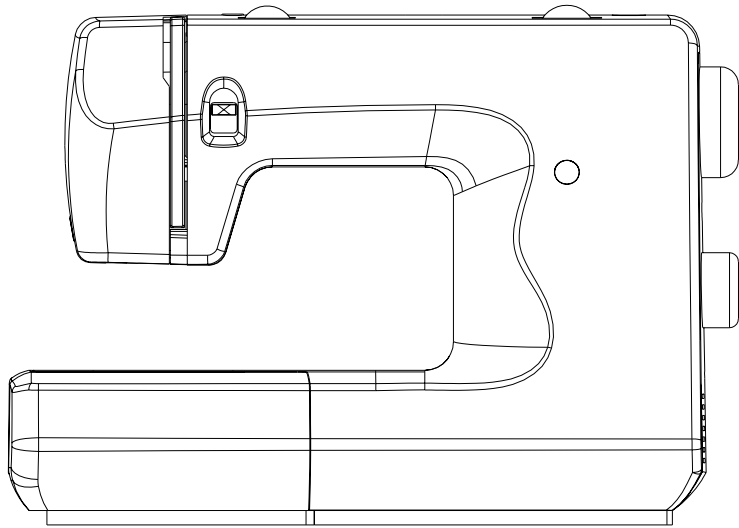
---

From the library of: Diamond Needle Corp

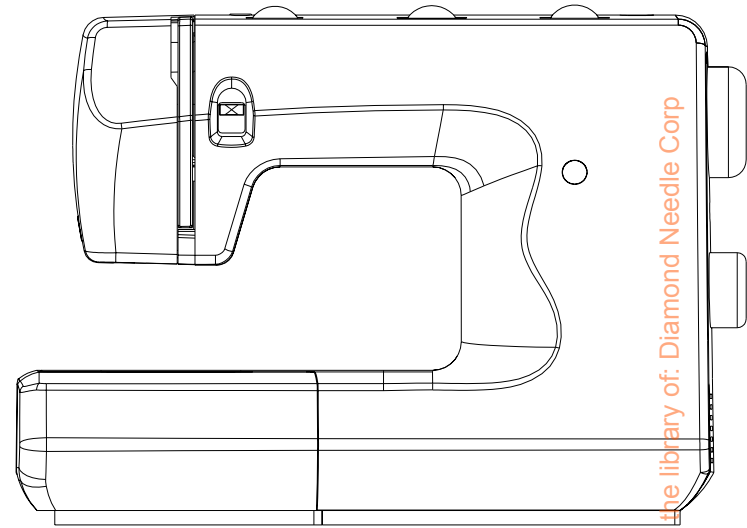
S I N G E R<sup>®</sup>

Model 3709A-1/3722A-1/3815A-1

029190051



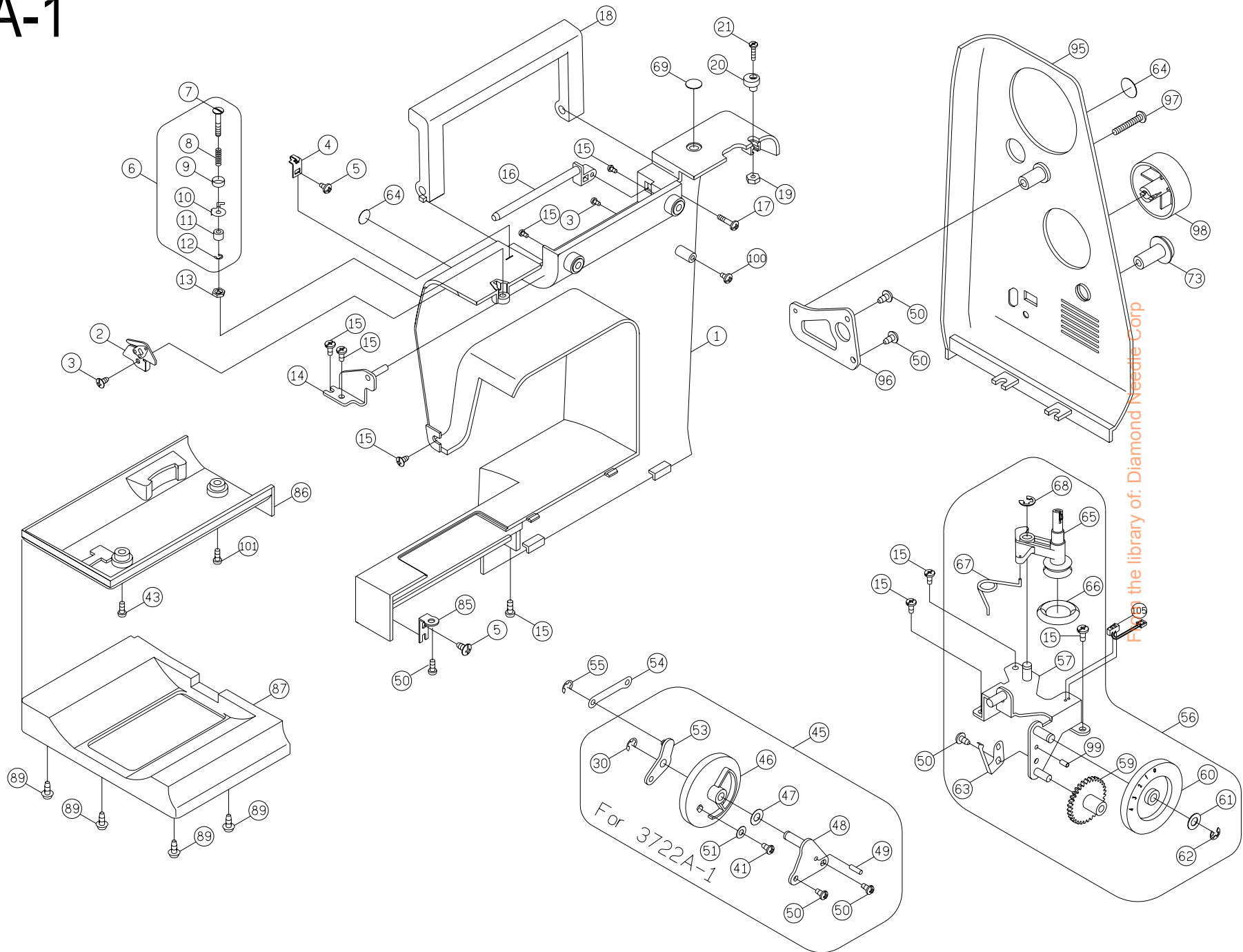
MODEL: 3709A-1, 3815A-1



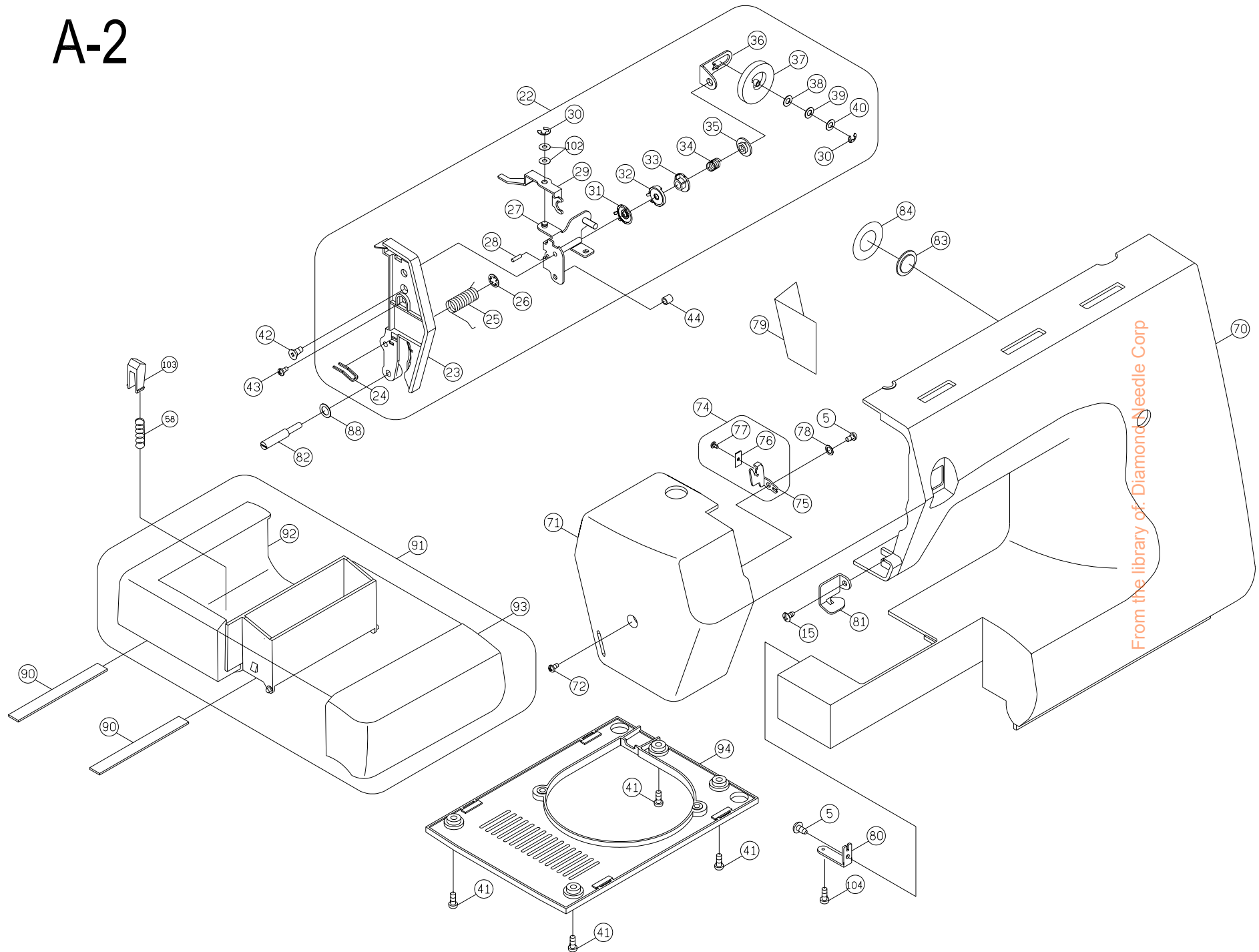
MODEL: 3722A-1

From the library of: Diamond Needle Corp

# A-1



# A-2



From the library of Diamond Needle Corp

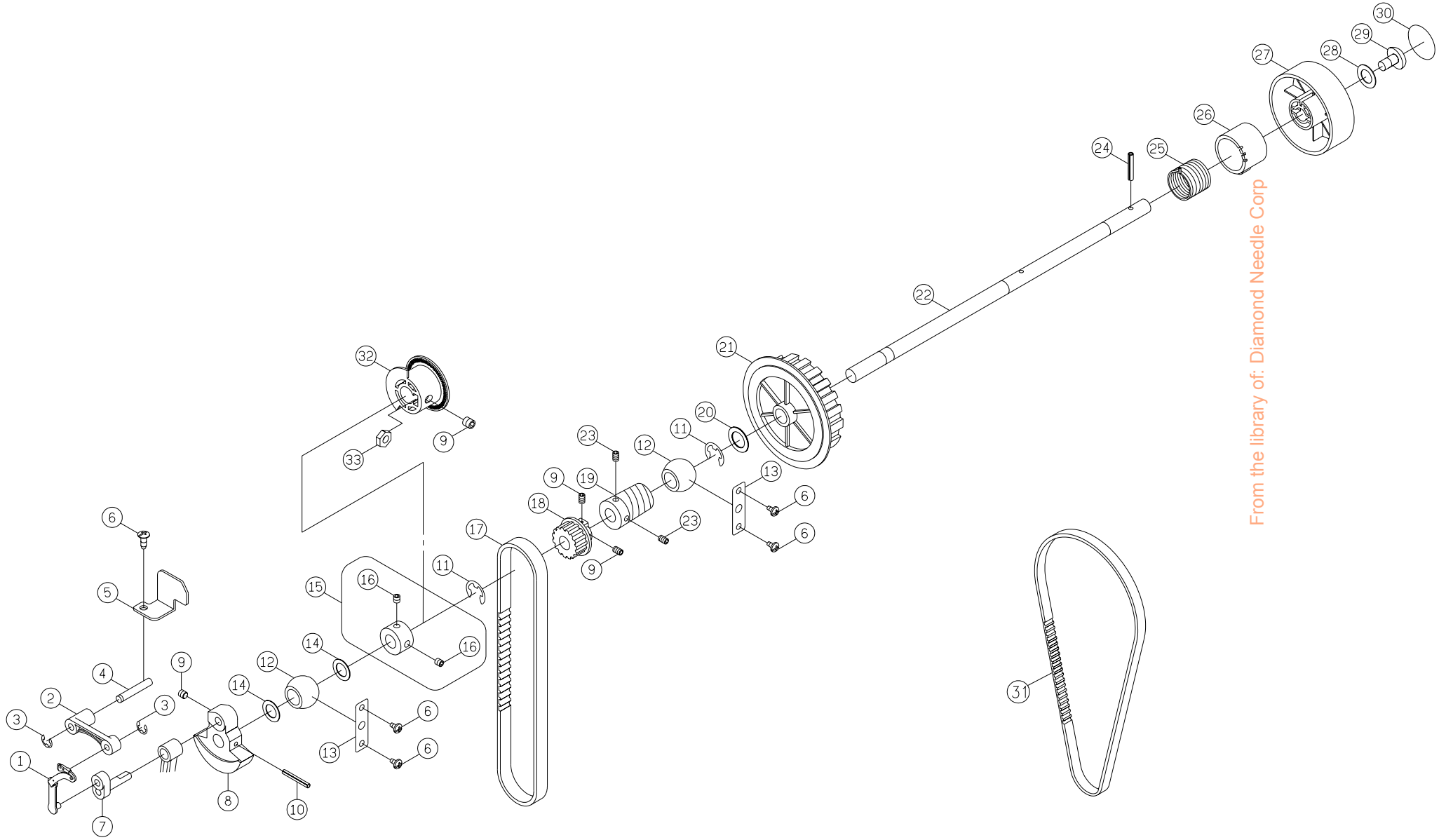
No.	Part No.	Description
1	E1A1643210	Back cover
2	V610155000	Thread guide complete
3	004230326	Set screw (M4×8)
4	E1A2043001	Thread guide
5	004230215	Set screw (M3×8.5)
6	E1A2065000	Bobbin winder thread guide complete
7	E1A2053001*	Bobbin winder thread guide adjusting
8	H13153001*	Bobbin winder thread guide spring
9	H13133001*	Bobbin winder spring disc
10	V610223001*	Bobbin winder thread guide
11	E1A2353006*	Spacer
12	003010036*	E-Ring (ETW-3)
13	004840106	Nut (ALN-4)
14	V61253006	Arm top cover plate
15	004240106	Set screw (M4×8 A)
16	E1A1663210	Spool rod
17	004230655	Set screw (M3×15)
18	E1A1763210	Handle
19	004706013	Nut (9/64×40 t=3)
20	E1A2393000	Bobbin winder stopper
21	004106162	Set screw (9/64×40×15)
22	E4C0034210	Dial tension complete
23	E4C0033210*	Dial tension supporter plate cover
24	V61873001*	Thread guide
25	E1A2073000*	Thread guide spring (CSTW-4.5)
26	003020453*	Thread guide spring washer
27	E1A2183006*	Dial tension supporter plate
28	003043010*	Spring pin (φ3×10×0.6)
29	E1A2113003*	Dial tension waft plate
30	003010043*	E-Ring (ETW-4)
31	E1A2333001*	Dial tension disc
32	J30423001*	Dial tension disc (1)
33	R10593000*	Dial tension spring regulator
34	NB1083000*	Dial tension spring
35	K50193000*	Dial tension regulator
36	V60273003*	Dial tension spring plate

No.	Part No.	Description
37	R10583210*	Dial tension knob
38	004300713*	Washer (5.2×10×0.2)
39	004500360*	Washer (WW-5)
40	004300643*	Washer (5.2×10×0.5)
41	004240046*	Set screw (M4×10 B)
42	004240176*	Set screw (M4×6 D)
43	004240146*	Set screw (M4×15 B)
44	H11103001*	Dial tension guide spring tube
45	E3A0104000	Zig zag width dial complete
46	E3A0133000*	Zig zag width dial
47	004900063*	Washer (6.2×12×2.0×1.0)
48	E3A0113006*	Zig zag width dial plate
49	003043010*	Spring pin (φ3×10)
50	004240056*	Set screw (M4×6 B)
51	004300076*	Washer (4.2×9×0.5)
52	004240782*	Set screw (M4×10 B)
53	E3A0143006*	Zig zag width crank
54	E3A0153003*	Zig zag width crank rod
55	003010032*	E-Ring (ETW-4)
56	E1B8284210	Bobbin winder frame complete(3709A)
56	E4B8284210	Bobbin winder frame complete(3722A)
56	E1B8284210	Bobbin winder frame complete(3815A)
57	E1A1785000*	Bobbin winder frame
58	H10143005	Sewing table body guide spring
59	V61183000*	Feed regulator gear
60	E1A1803210*	Feed regulator dial
61	004300186*	Washer (6.2×12×0.5)
62	003010046*	E-Ring (ETW-4)
63	EAA0203003*	Feed regulator set plate
64	V61503210	Plate (1)
65	V61165000	Bobbin winder crank complete
66	F20213000	Bobbin winder rubber pulley
67	V61563003	Bobbin winder crank spring
68	003011052	E-Ring (ETW-5)
69	V410123210	Plate
70	E4C0013210	Front cover

No.	Part No.	Description
71	EMC0023210	Face plate
71	E4C0023210	Face plate (With hole of Adjusting dial)
72	004240782	Set screw (M4×10 B)
73	E1A1703000	Adjusting dial
74	E1A1995000	Thread cutter complete
75	E1A1993001*	Thread cutter plate
76	J31283000*	Thread cutter
77	004220012*	Set screw (M4×12)
78	004300676	Washer (3.2×8×0.8)
79	E1A2523000	Heat resistant plate
80	E1A1623002	Arm front cover set plate
81	E1A1883001	Arm top cover thread guide plate
82	004240982	Set screw
83	F30103000	Pattern display window
84	008465000	Sticker
85	E1A1673002	Arm back cover set plate
86	E1A1743210	Free arm base
87	E1A1753210	Free arm foot bush
88	004300136	Washer (4.2×8×0.8)
89	004230746	Set screw (M3×12)
90	E1A1843000	Sewing table body felt
91	E4C0044210	Sewing table complete
92	E1A1823210*	Sewing table body
93	E4C0043210*	Sewing table body cover
94	E1A1863210	Cord reel cover
95	E1A4003210	Motor drive belt cover
95	E1A4013210	Motor drive belt cover
96	E1A1723003	Motor drive belt cover frame
97	004241106	Set screw (M4×25 A)
98	E4A0233210	Selector dial
99	003043006	Pin (SP3×6)
99	003043008	Pin (SP3×8)
100	004240306	Set screw (M4×10 B)
101	004240136	Set screw (M4×12 B)
102	004230873	Washer (5×8×0.5)
103	H10133211	Sewing table body guide



B

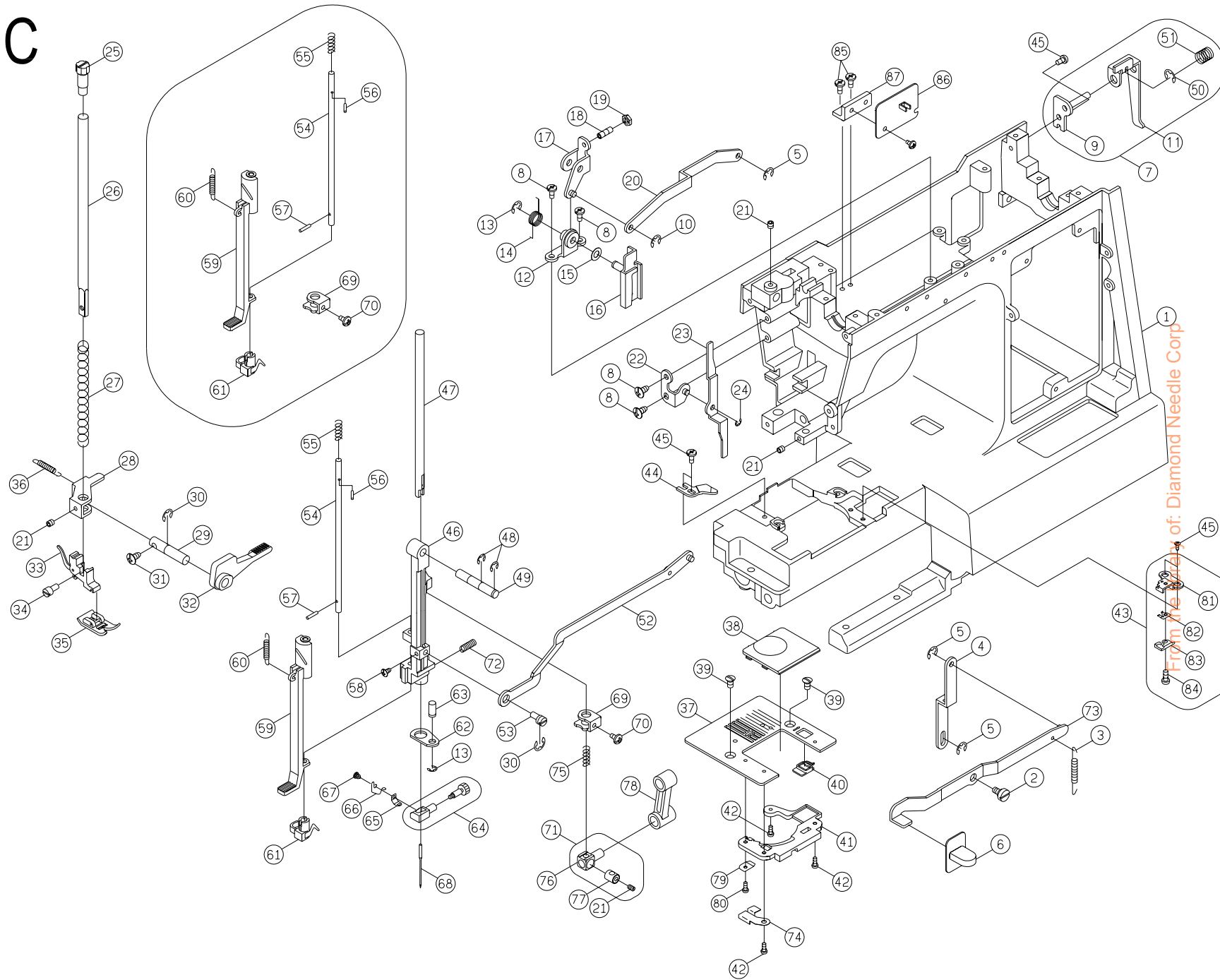


From the library of: Diamond Needle Corp

No.	Part No.	Description
1	E1A2685000	Thread take up lever
2	E1A2653000	Thread take up lever supporter
3	003010036	E-Ring ( ETW-3 )
4	V60223003	Thread take up lever supporter shaft
5	E1A2313005	Set washer
6	004240106	Set screw ( M4×8 A )
7	E1A2663000	Arm shaft balance pin
8	E1A2213000	Arm shaft balance
9	004240223	Set screw ( M4×6 )
10	003043524	Arm shaft balance pin ( $\phi$ 3.5×24 )
11	003010093	E-Ring ( ETW-9 )
12	R10293000	Arm shaft bushing
13	E1A2623003	Arm shaft bushing holder plate
14	004400080	Endure attrition washer
15	R10304000	Arm shaft collar complete
16	004250203	Set screw ( M5×5 )
17	E1A0083000	Motor drive belt
18	F4A0033000	Arm shaft sprocket
19	E1A0065000	Arm shaft worm complete
20	004300853	Washer ( 10.2×15×0.5 )
21	E4A0143210	Arm shaft drive belt pulley
22	E1A0044000	Arm shaft
23	004107283	Set screw (11/64×40×5)
24	003043018	Spring pin ( $\phi$ 3×18 )
25	R10393000	Arm shaft clutch annulus spring
26	R10403000	Arm shaft collar
27	E1A0073210	Hand wheel
28	004300586	Hand wheel washer ( 5.2×16×1.0 )
29	004250346	Set screw ( M5×10 )
30	V16893210	Hand wheel decorated plate
31	007163471	Motor drive belt ( 163XXL6.1 )
32	E7r0333210	Rotary sensor collar
33	004840022	Nut(M4)



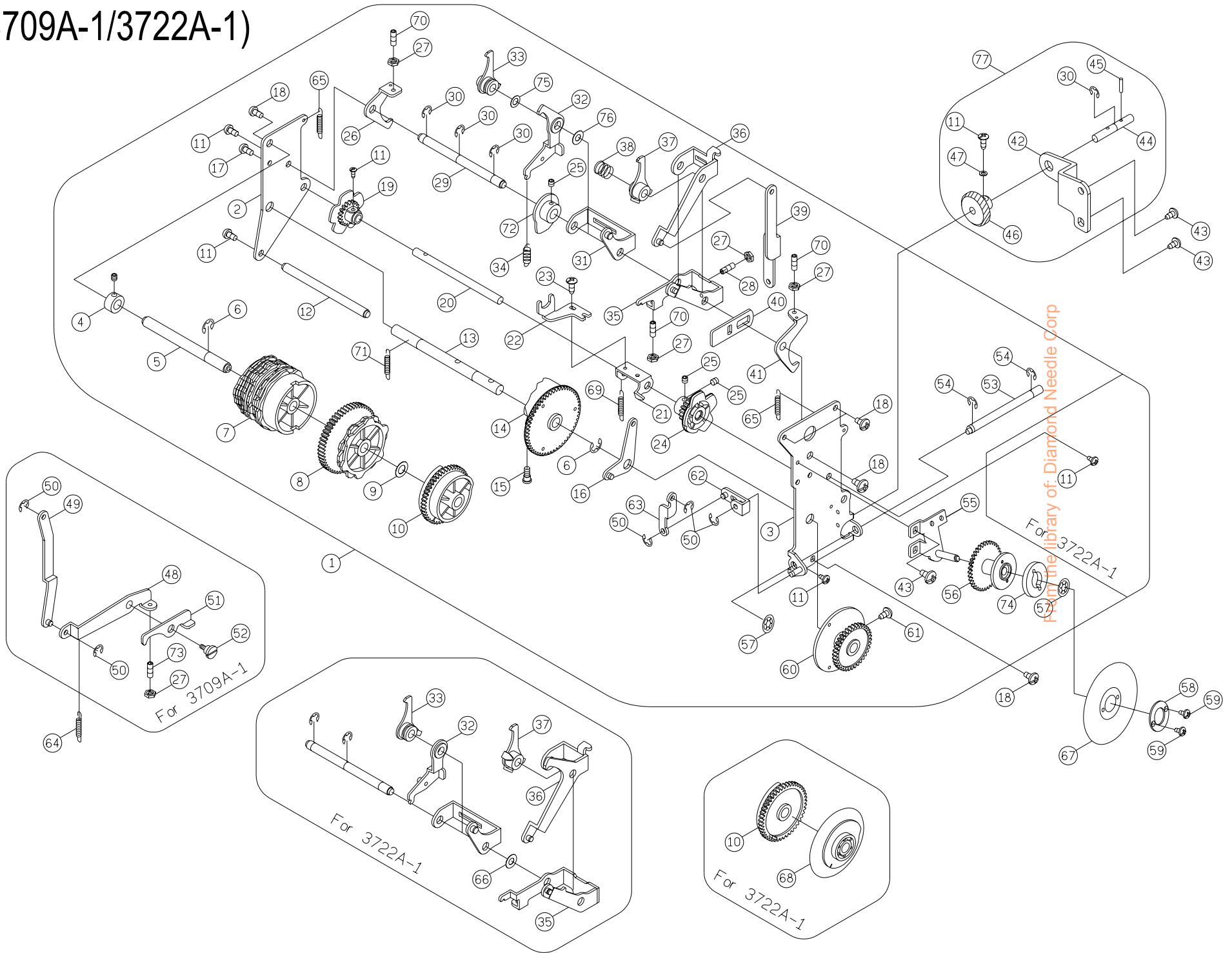
C



From the factory of Diamond Needle Corp

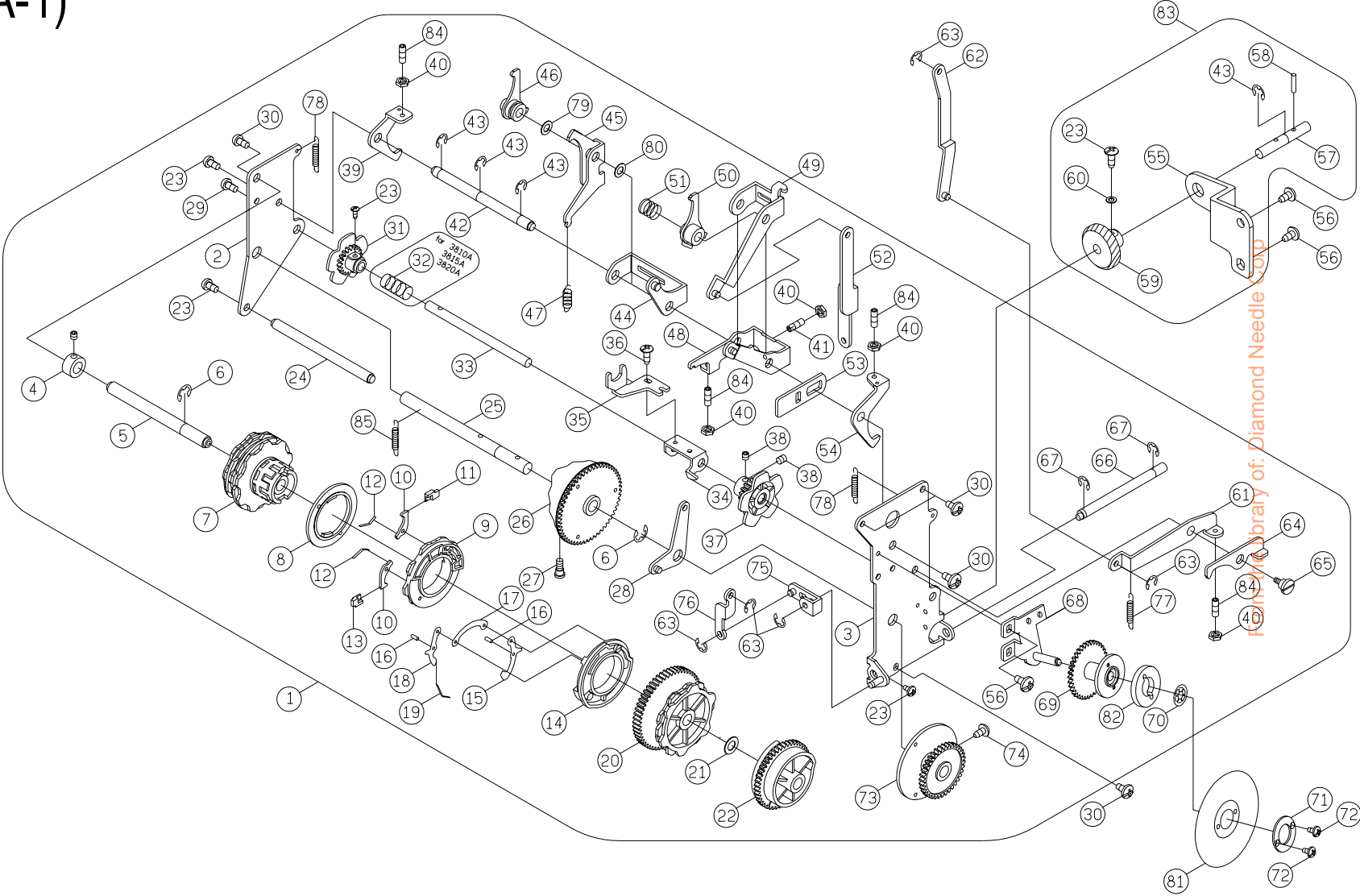


# D(3709A-1/3722A-1)





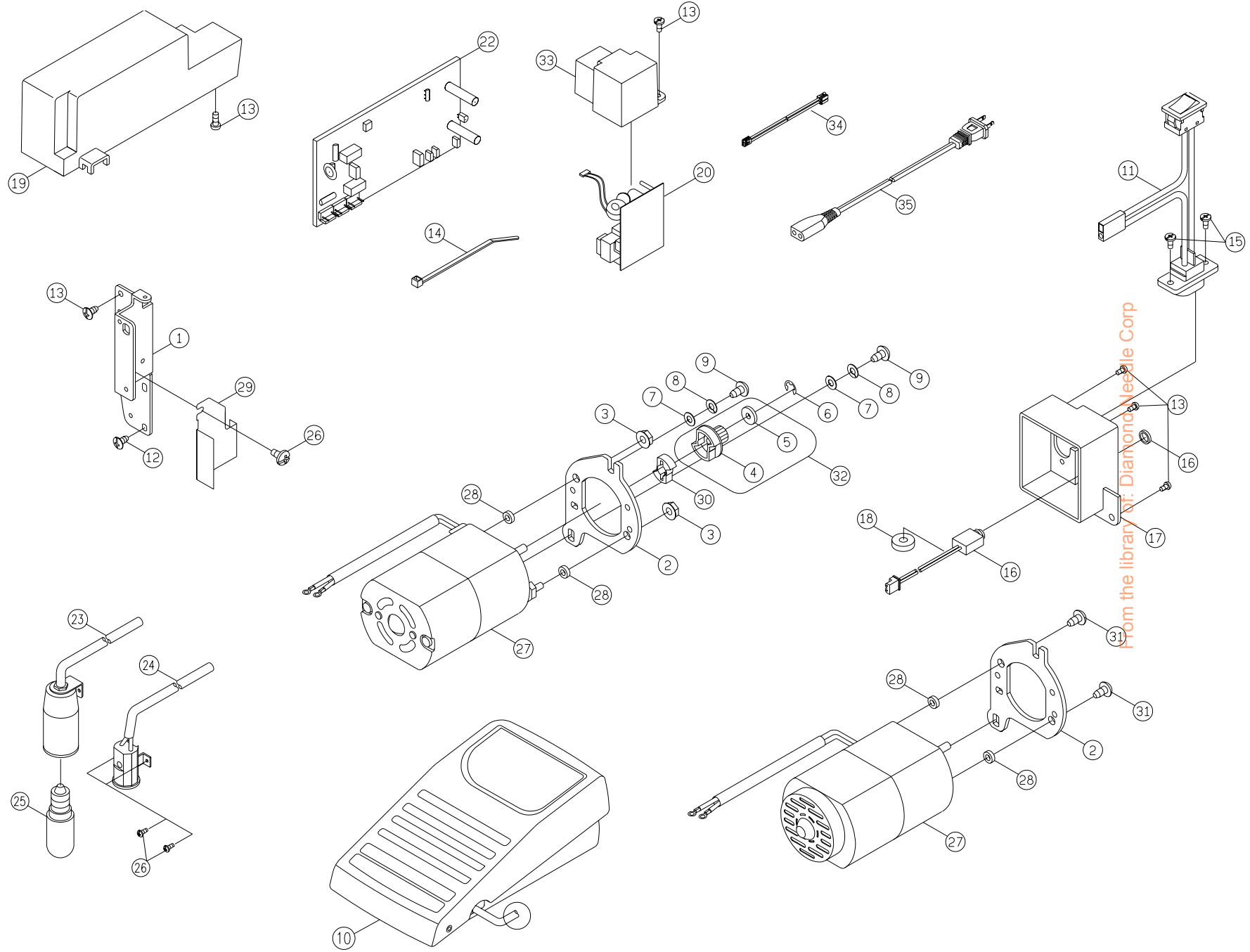
# E(3815A-1)







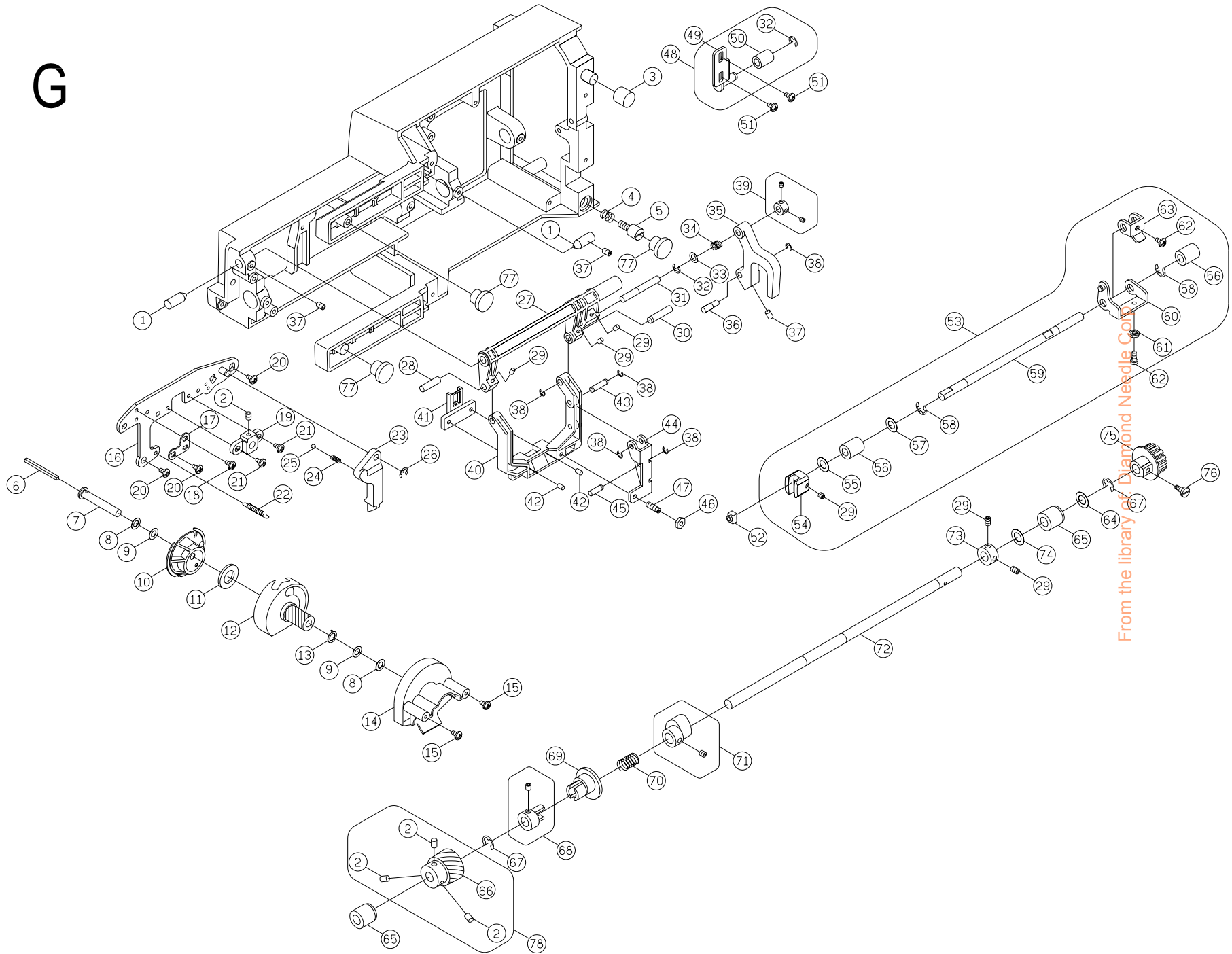
# F







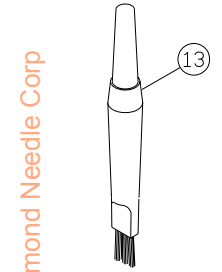
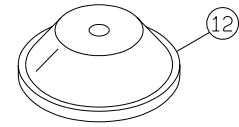
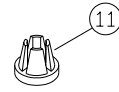
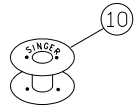
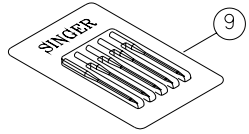
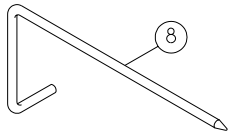
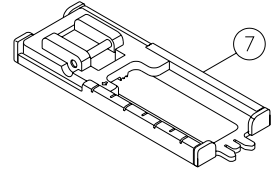
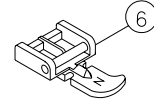
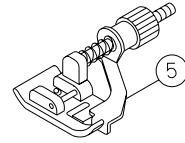
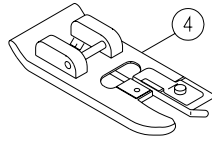
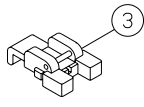
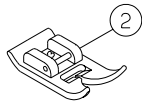
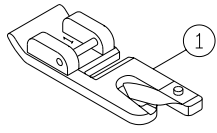
G



From the library of Lyonard Needle Corp



# H



From the library of: Diamond Needle Corp

